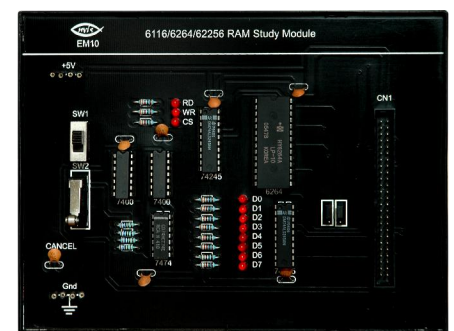
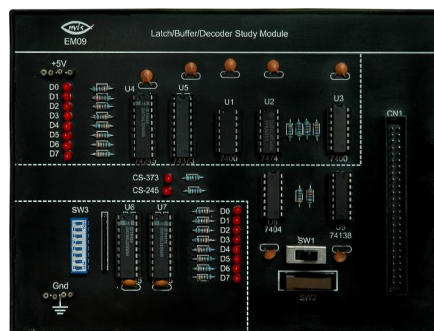
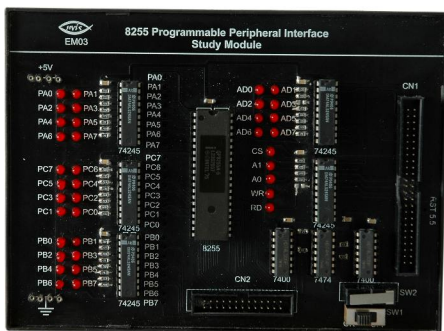
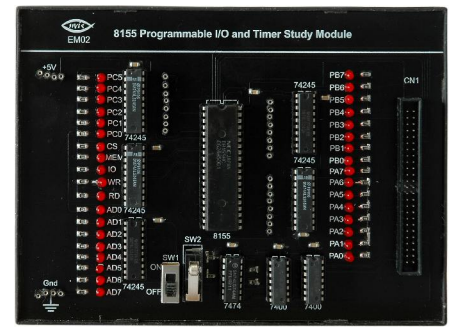
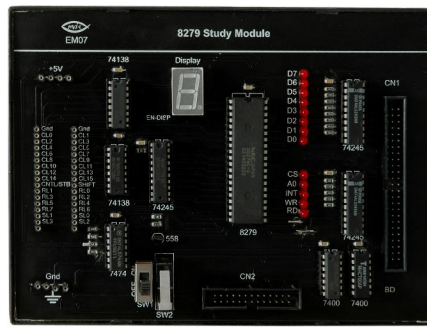
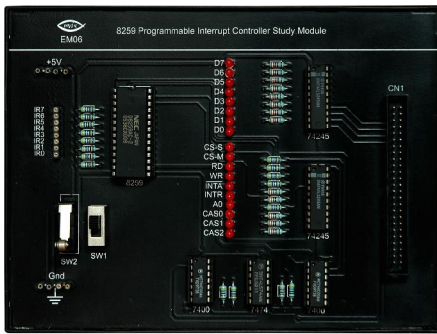




# Experimental Modules

## for Nvis 8085/8086 Trainer (EM01 to EM10)



**EM01-EM10 Experimental Modules** are designed to study different peripherals used with 8085 and 8086 Microprocessors. This series is specifically targeting the 8085 and 8086 supporting peripherals. It covers Memory Elements, I/O peripherals and Timing and control devices of Microprocessor based system. With the help of these modules students can understand the interfacing and operation of peripherals. Ports are provided on Modules so students can use these ports to develop their own projects.

### Features

- Test point to demonstrate the operation of peripherals
- User can interface their own hardware with available Modules
- Step execution
- Compatible with Nvis 8085 and Nvis 8086 Trainers
- Online product tutorial

### Scope of Learning

- Interfacing and operation of peripherals
- Programming of peripherals

### Technical Specifications

Interface : 50 Pin FRC  
 Operating Voltage : +5V  
 Dimensions (mm) : W 175 x D 130 x H 28

Different Experimental Modules

- EM01 8253 Programmable Interval Timer
- EM02 8155 Programmable I/O and Timer
- EM03 8255 Programmable Peripheral Interface
- EM04 8251 Programmable Commutation Interface
- EM05 8257 Programmable DMA controller
- EM06 8259 Programmable Interrupt Controller
- EM07 8279 Keyboard and Display Controller
- EM08 8212 8-Bit I/O Port
- EM09 Latch/Buffer/Decoder
- EM10 6116/6264/62256 RAM